

# YL Digital Intra-oral Sensor

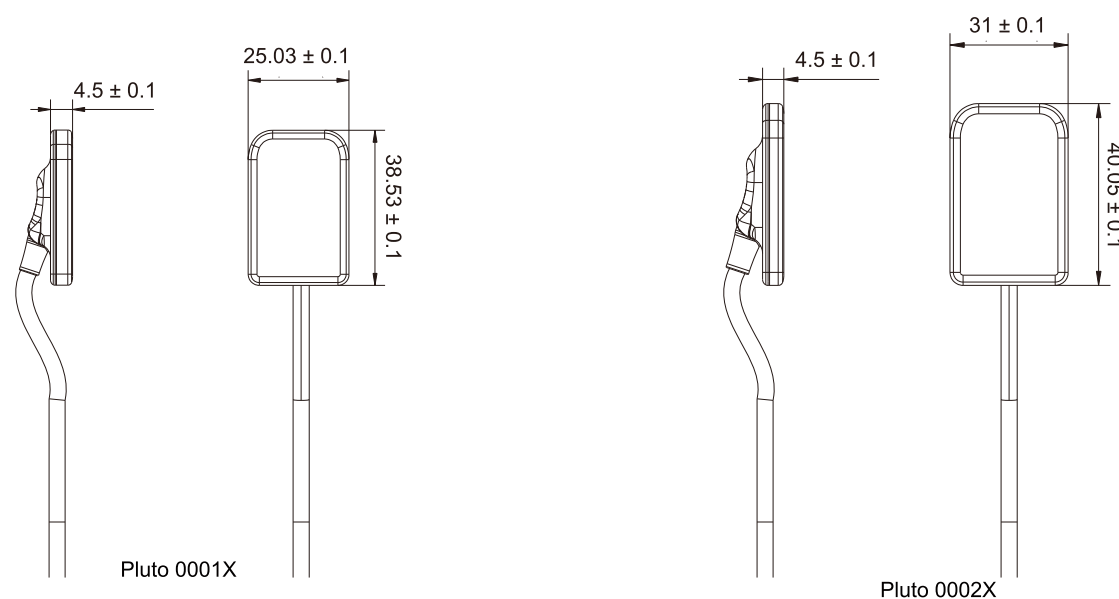
## Digital Intra-oral Sensor

### Technical Specifications

Products	Pluto 0001X	Pluto 0002X
Mechanical Dimensions (mm <sup>3</sup> )	25.0 × 38.5 × 4.5 20	31.0 × 40.0 × 4.5 26 ×
Active Area (mm <sup>2</sup> )	× 30	36
Pixel Matrix	(1.5 M) 1000 × 1500	(2.34 M) 1300 × 1800
Color		
Sensor Technology Scintillator	APS CMOS	
Length of Cable (m)	Directly deposited CsI:TI	
Pixel Pitch (µm)	Standard 3m / Option 5m	
	20	
Spatial Resolution (lp/mm)	Theoretical: 25 lp/mm Actual: 14 ~ 16 lp/mm (High Sensitivity) 18 ~ 20 lp/mm (High Resolution)	
Gray Level	16 bit, 65535 grade	
Exposure Mode	Smart AED	
Ingress Protection	IP68 for Soak disinfection	
Additional	Support TWAIN protocol	
Operation System	Windows 7 and above, 32 / 64 bit	

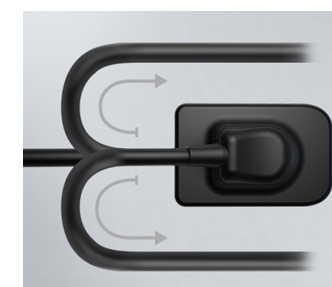
### Dimensions

Unit: mm



## Sensor Size1 / Size2

- APS CMOS technology
- Smart AED-Compatible for variety X-Ray sources
- Direct deposition CSI - Lower dose imaging USB
- 2.0 direct connection
- Slim, rounded corner and thumb position
- IP68 High reliability



## How did we create such a high quality sensor?

- New image processing algorithm applied
- Well balanced imaging factors – resolution, sensitivity
- CMOS design to viewer software

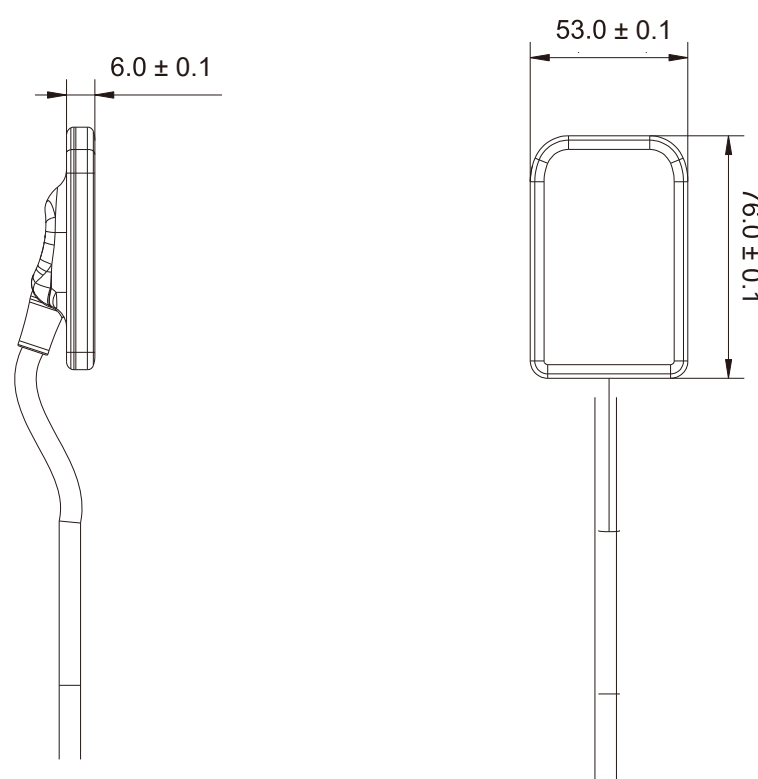
## Enhanced Durability Through Cable Strain Relief

- Sensor is designed to prevent any kind of damages in its everyday use. Based on actual usage, our durability test includes bending up, down, left, right side and bending up to four times.

## Digital Intra-oral Sensor

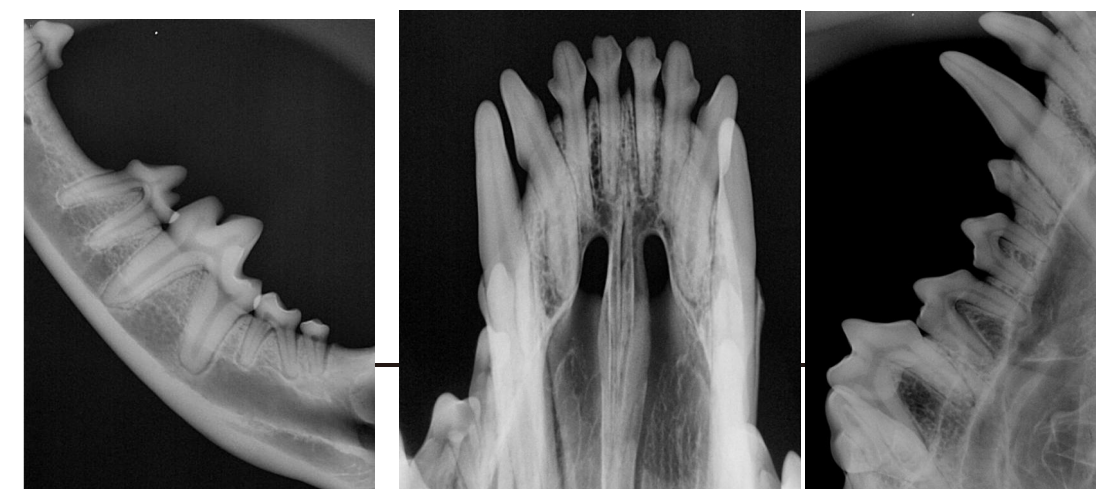
Technical Specifications	
Products	No.4 Size
Mechanical Dimensions (mm <sup>3</sup> )	53× 76× 14
Active Area (mm <sup>2</sup> )	46.7×67.3
Pixel Matrix	(1.5 M) 1000 × 1500
Color	■
Sensor Technology	APS CMOS
Scintillator	Directly deposited CsI:Tl
Length of Cable (m)	Standard 3m
Pixel Pitch (μm)	18.5
Spatial Resolution (lp/mm)	Theoretical: 27 lp/mm GOS ≥10lp/mm CsI ≥14lp/mm
Gray Level	16 bit
Exposure Mode	Smart AED
Ingress Protection	IP68 for Soak disinfection
Additional	Support TWAIN protocol
Operation System	Windows 7 and above, 32 / 64 bit,USB2.0
Dimensions	

Unit: mm



## Digital Intra-oral Sensor No.4 Size

- | APS CMOS technology
- | Smart AED-Compatible for variety X-Ray sources
- | Direct deposition CSI - Lower dose imaging
- | USB 2.0 direct connection
- | Slim, rounded corner and thumb position
- | IP68 - High reliability



Youlan intra-oral Sensor family, based on advanced APS CMOS together with the leading technologies such as smart AED, direct deposited CSI scintillator and ergo-nomic design. Brings optimal digital imaging to your daily practice.

# YL Dental X ray



## Specification:

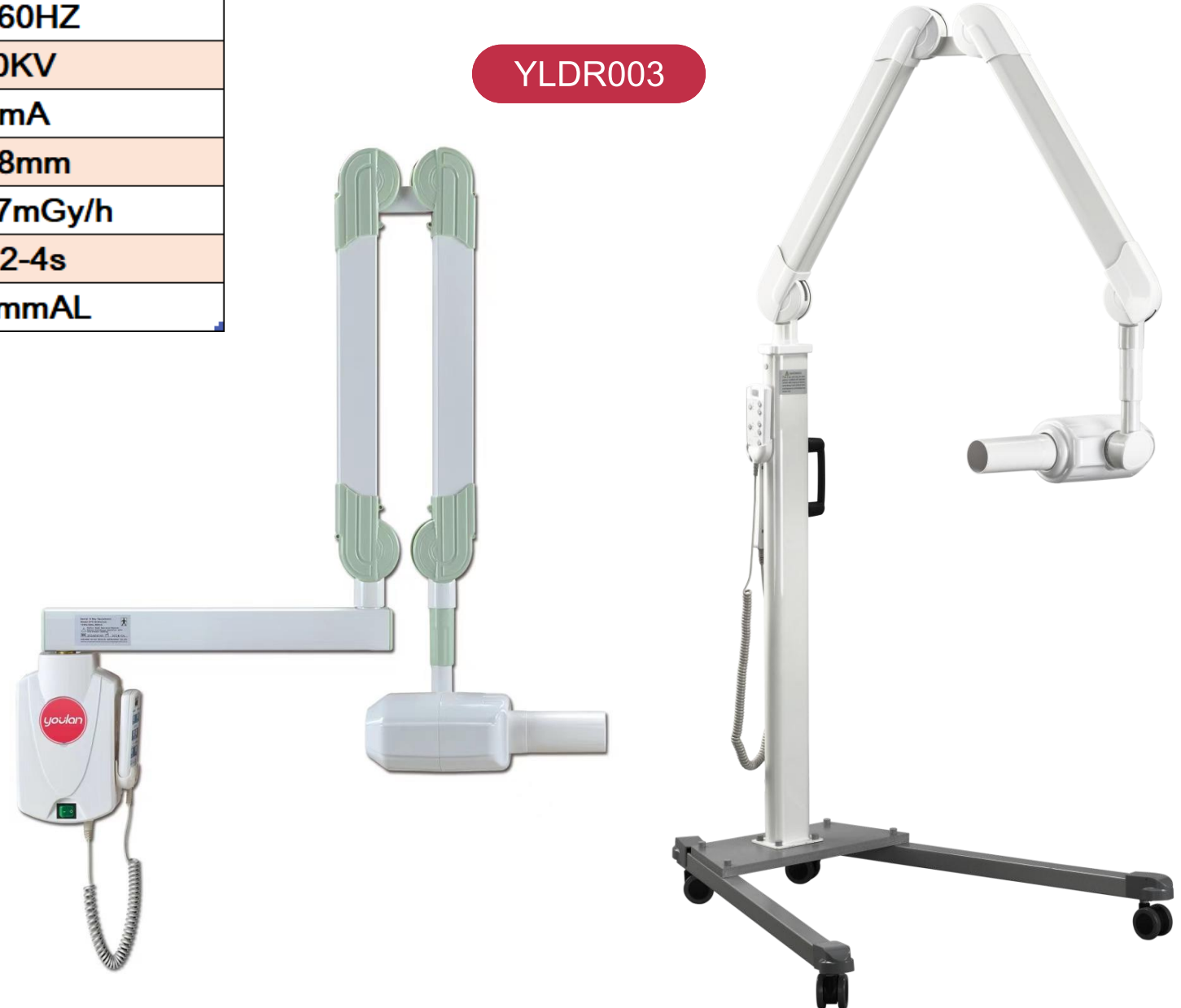
Dental X ray	Portable (YLR2-VET)	Mobile(YLDR002)	Wall-Mounted(YLDR003)
Power Voltage	AC 100V-240v±10%	220V±10%	220V±10%
Electric Plug	Battery	Three Core	Three Core
Frequency	60HZ	50/60HZ	50/60HZ
Rated High Voltage	60KV	60KV	60KV
Tube Current	1.5mA	8mA	8mA
Focus Size	0.3mm	0.8mm	0.8mm
Radiation Leakage,	<0.25mGy/h	<0.07mGy/h	<0.07mGy/h
Exposure time	0.2-2s	0.2-4s	0.2-4s
Inherent filtration	2.5mmAL	2.5mmAL	2.5mmAL



YLR2-VET



Software



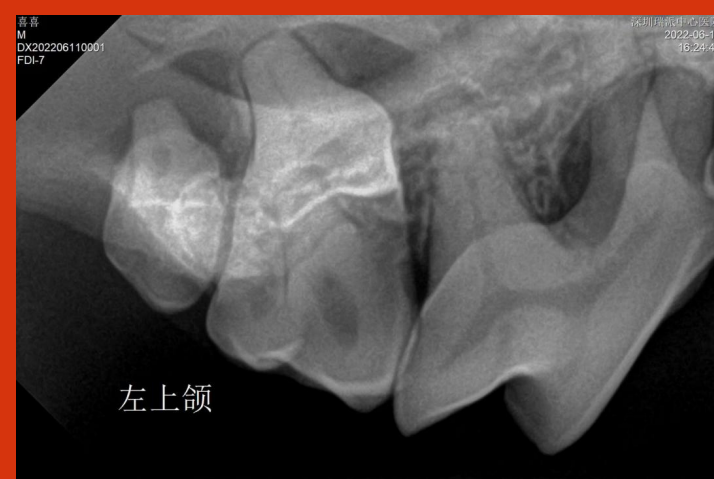
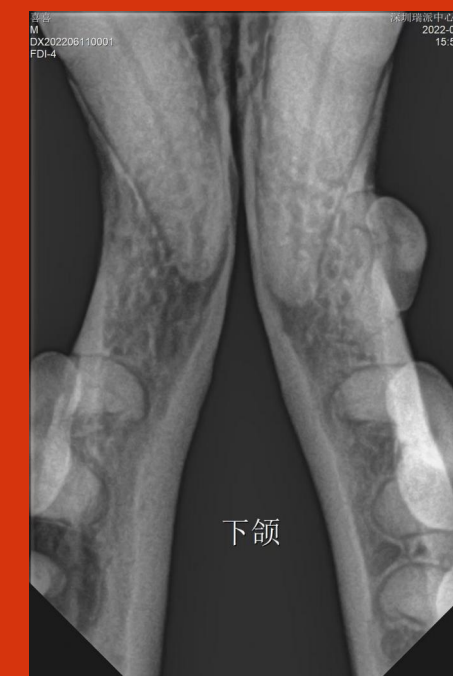
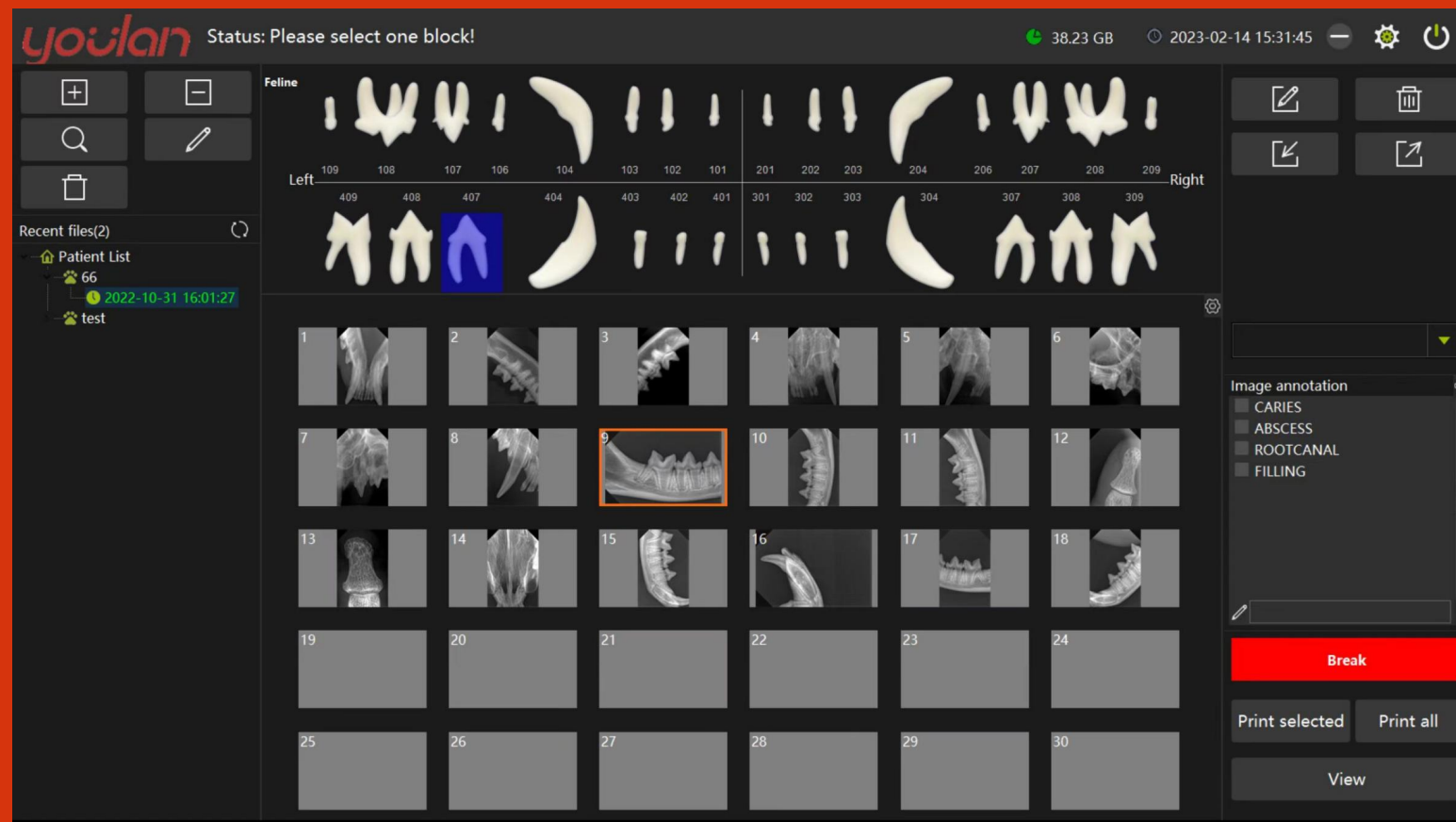
YLDR003

YLDR002

Comprehensive & Professional



# YL- Dental VET Software



Design for Animal



